

ICAT Engineering Academy
Nampa School District

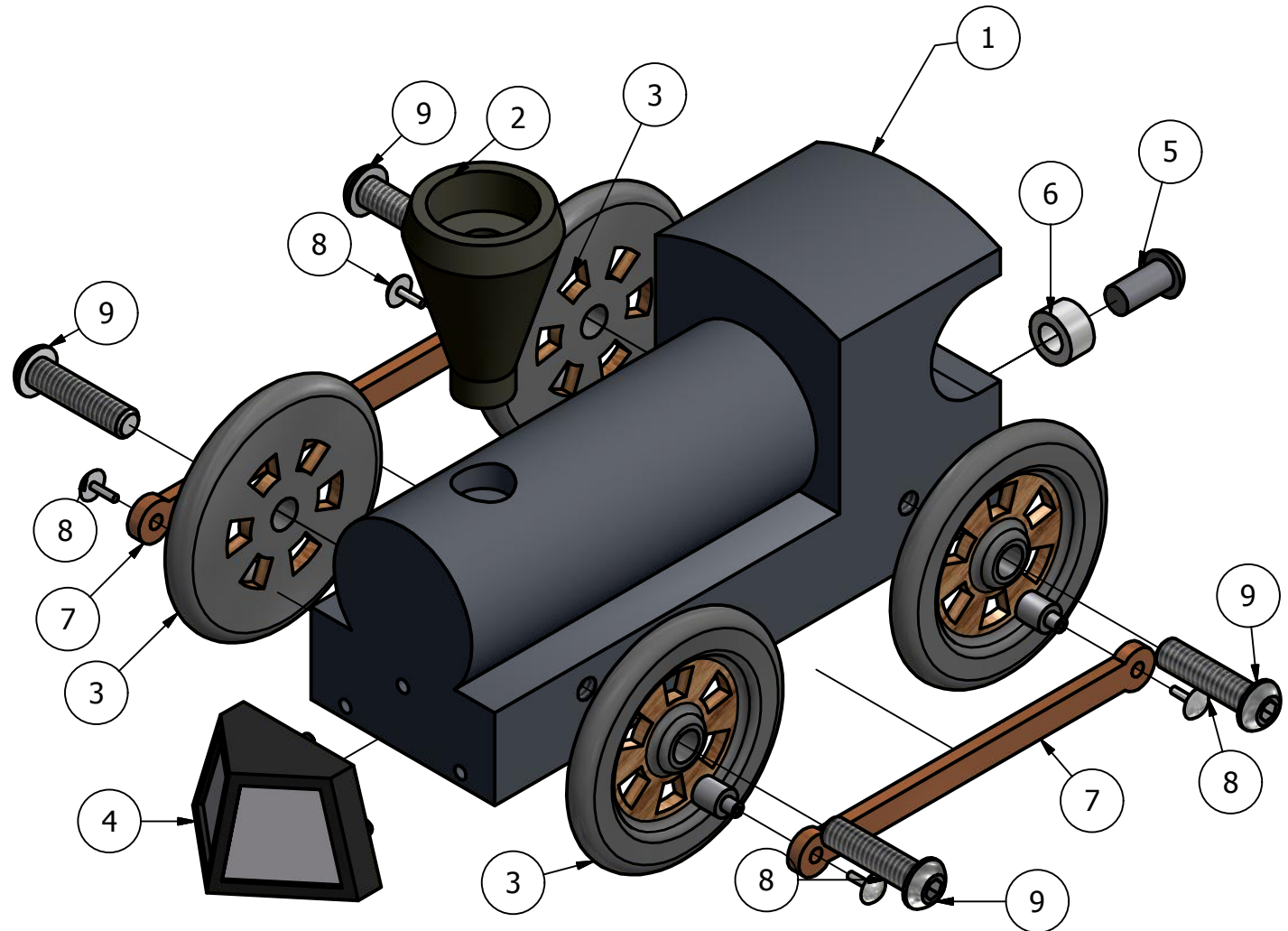
NAME:		DRAWING	DATE	PERIOD	SHEET
rcox		TRAIN ASSEMBLY.iam	11/4/2011		
SCHOOL			SCALE:	SCORE:	
					SHEET 1 OF 7

2

1

PARTS LIST

ITEM	QTY	PART NUMBER
1	1	TRAIN BODY
2	1	STACK
3	4	WHEEL
7	2	LINKAGE ARM
8	4	LINKAGE PEG
9	4	AXEL PEG
4	1	COW CATCHER
5	1	HITCH PEG
6	1	HITCH MAGNET



ICAT Engineering Academy
Nampa School District

SCHOOL

SCALE:

SCORE:

NAME:

DRAWING

DATE

PERIOD

SHEET

rcox

TRAIN ASSEMBLY.iam

11/4/2011

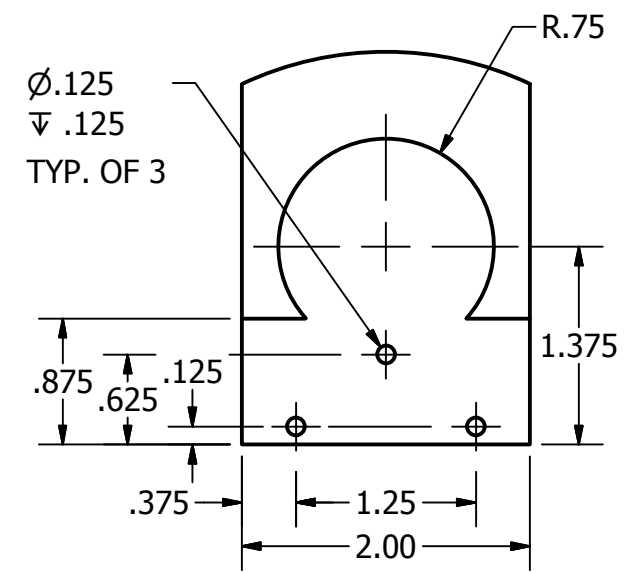
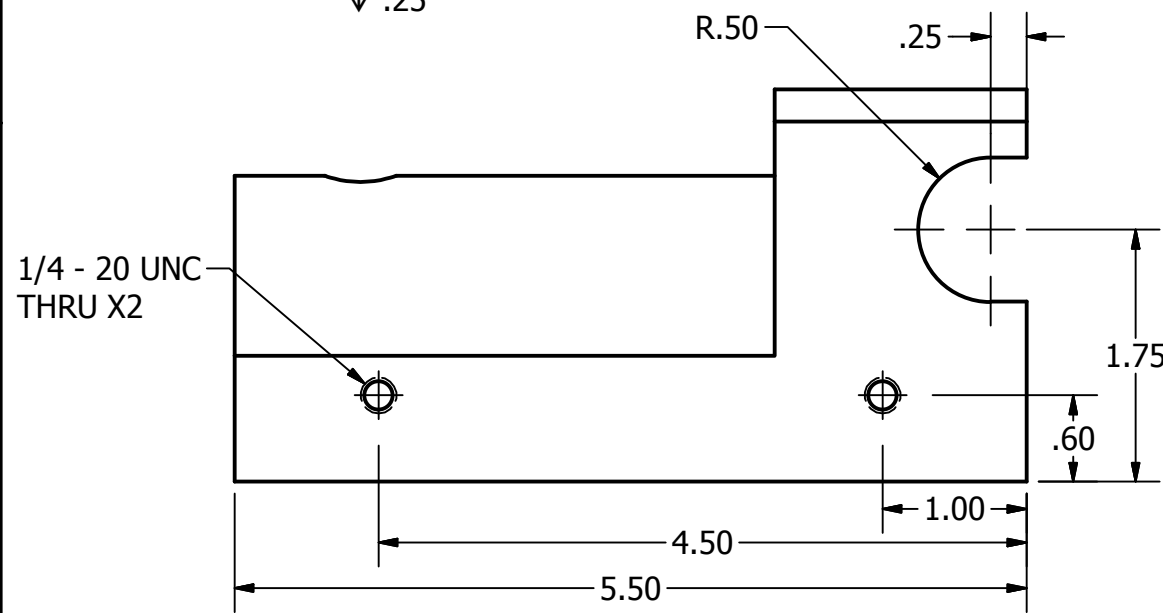
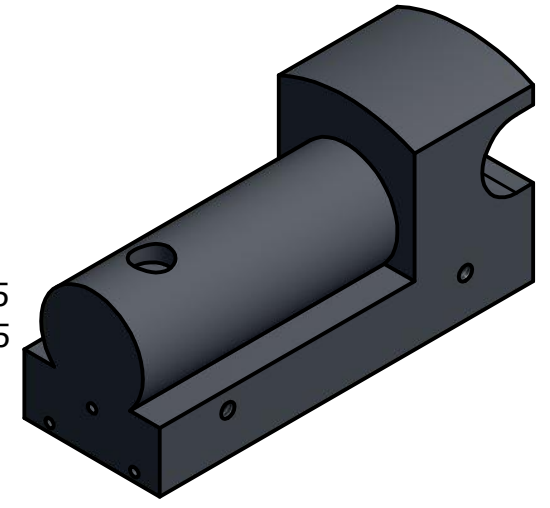
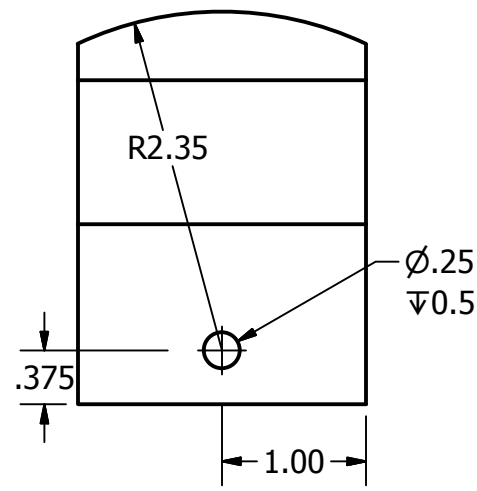
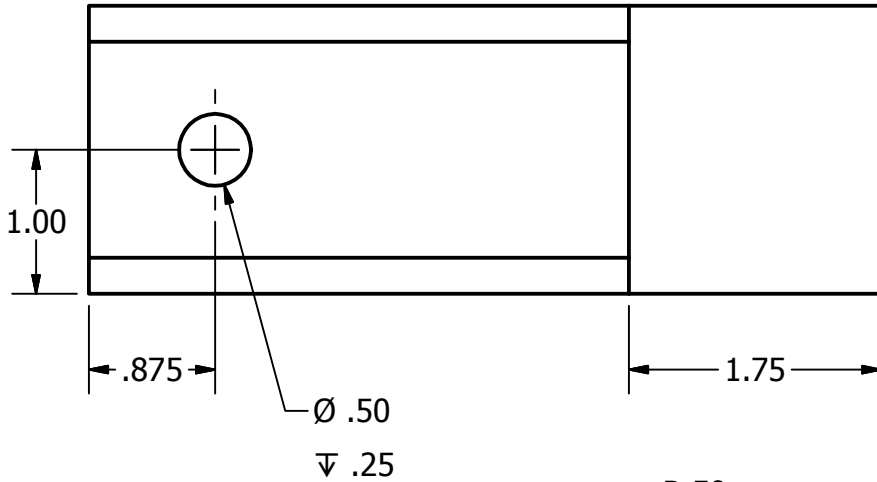
SHEET 2 OF 7

2

1

1

PART #1: TRAIN BODY
SCALE .75:1



NOTE:
ROUND ALL EDGES R 0.1
EXCEPT FOR DRILLED HOLES
(FILLETS NOT SHOWN ON ISO VIEW)

ICAT Engineering Academy Nampa School District		SCHOOL	SCALE:	SCORE:
NAME:	DRAWING	DATE	PERIOD	SHEET
rcox	TRAIN BODY.ipt	11/3/2011		SHEET 3 OF 7

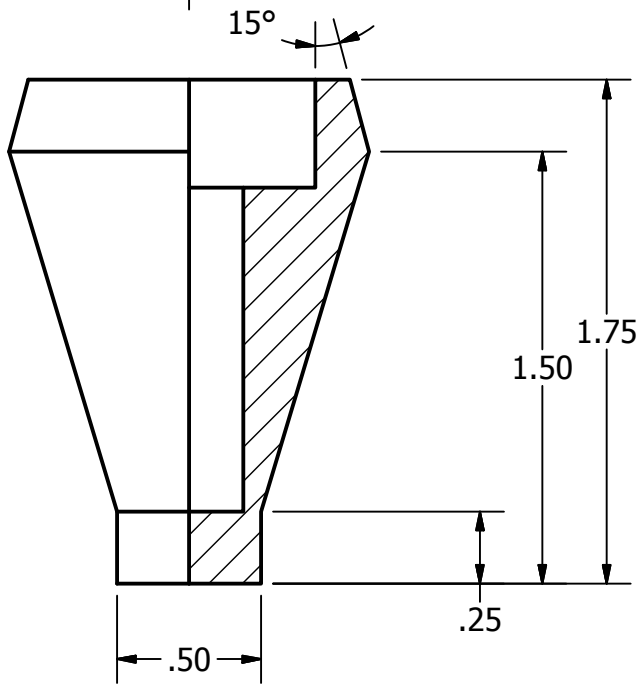
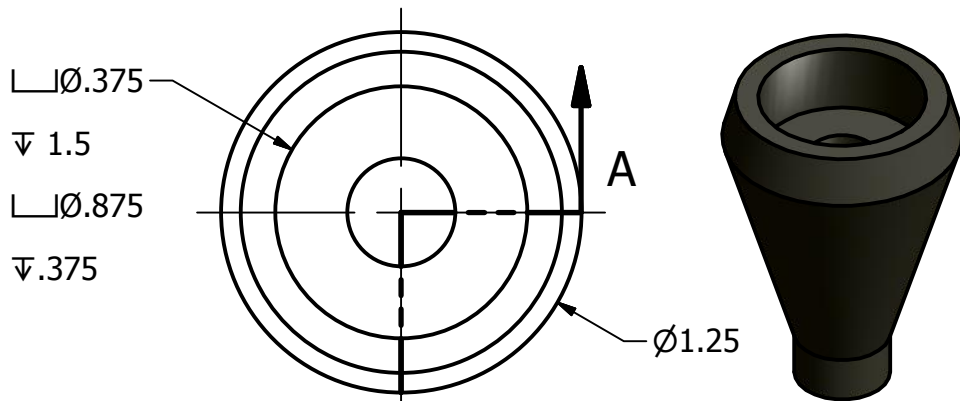
2



1

PART #2: STACK

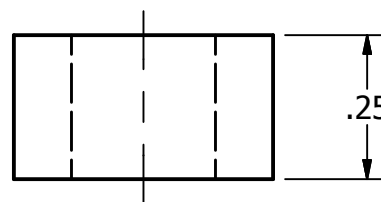
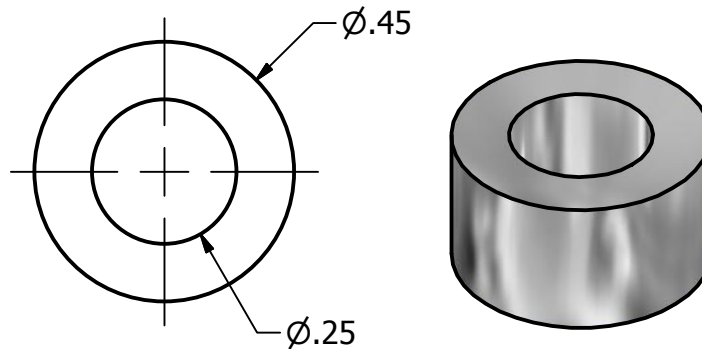
SCALE 1.5:1



SECTION A-A

PART #3: HITCH MAGNET

SCALE 3:1



ICAT Engineering Academy
Nampa School District

NAME:	DRAWING	DATE	PERIOD	SHEET
rcox	STACK.ipt	11/3/2011		SHEET 4 OF 7

2



1

B

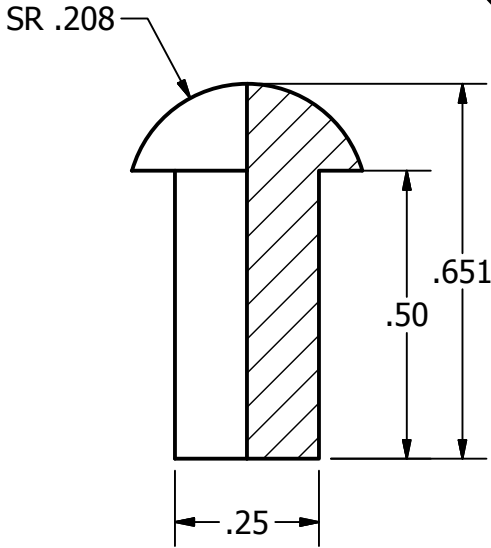
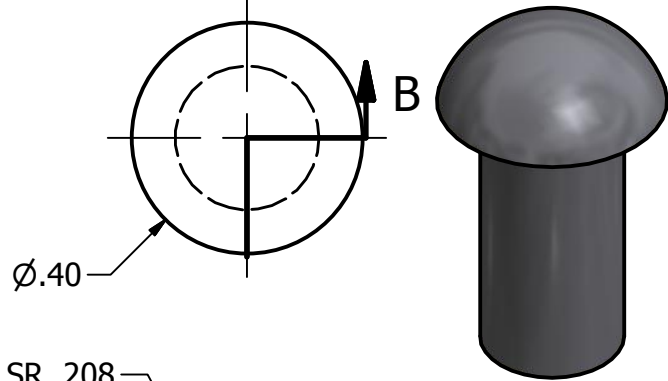
B

A

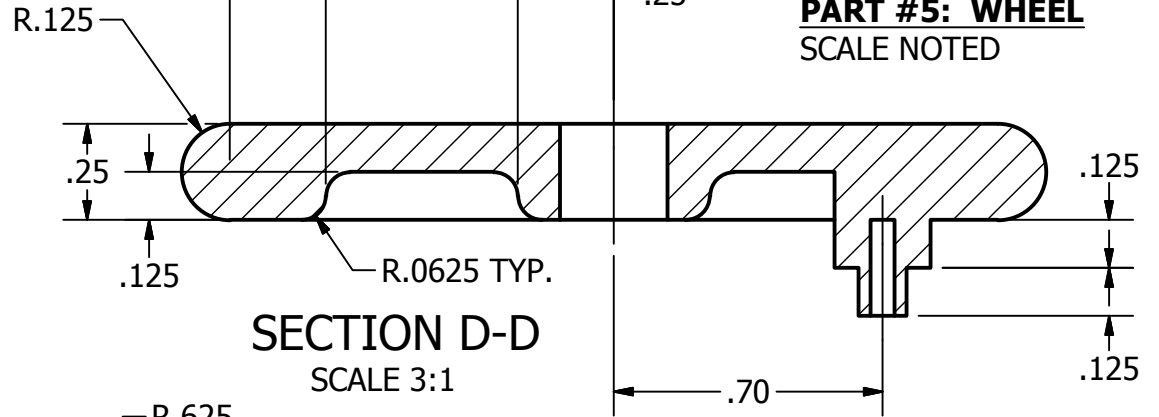
A

PART #4: HITCH PEG

SCALE 3:1



SECTION B-B

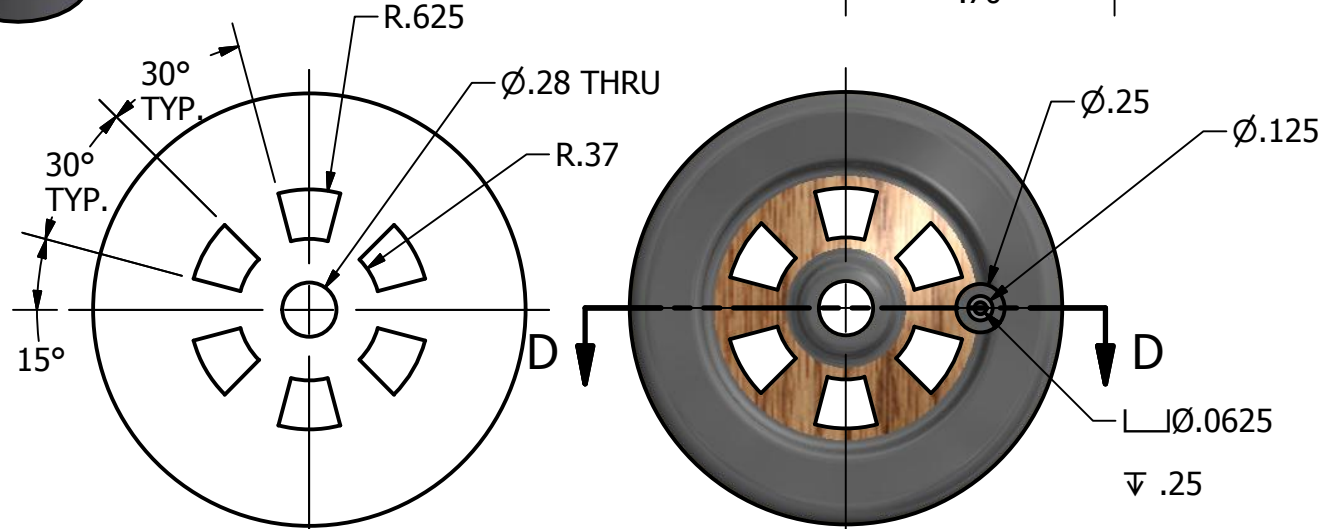


SECTION D-D

SCALE 3:1

PART #5: WHEEL

SCALE NOTED



SCALE 1:1

SCALE 1:1

ICAT Engineering Academy
Nampa School District

NAME: rcox

DRAWING HITCH PEG.ipt

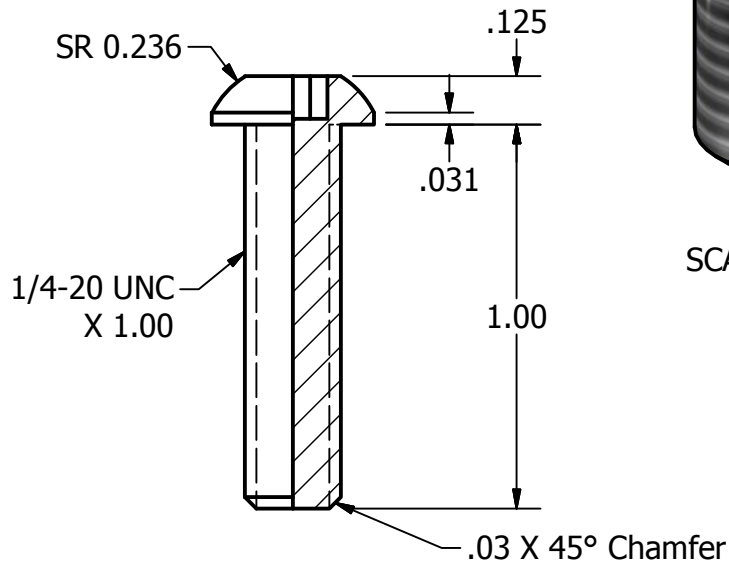
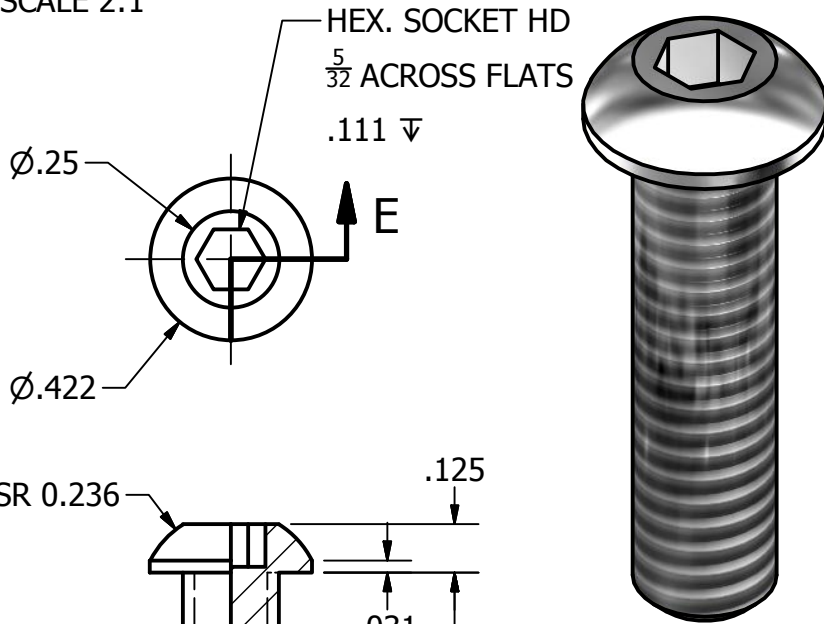
SCHOOL
 DATE 11/4/2011

SCALE:
 PERIOD

SCORE:
 SHEET SHEET 5 OF 7

PART #6: AXEL PEG

SCALE 2:1

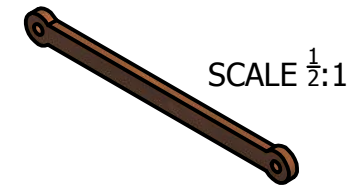


SECTION E-E
SCALE 2 : 1

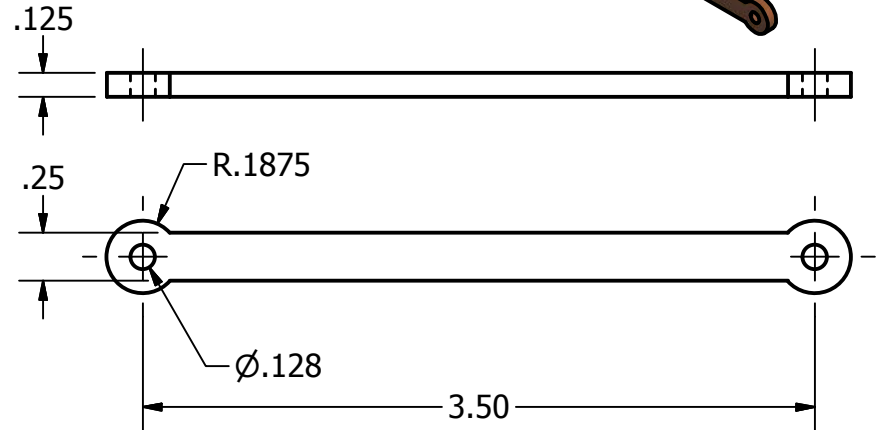
SCALE 3:1

PART #7: LINKAGE ARM

SCALE 1:1

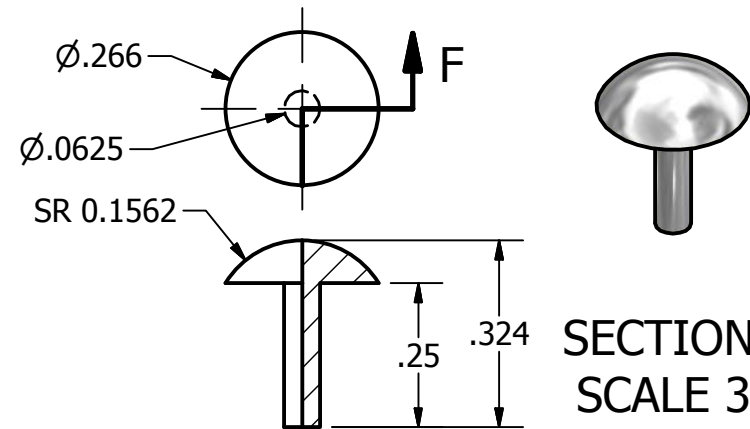


SCALE 1/2:1



PART #8: LINKAGE PEG

SCALE 3:1



SECTION F-F
SCALE 3 : 1

ICAT Engineering Academy
Nampa School District

NAME:		DRAWING	SCHOOL	SCALE:	SCORE:
rcox		AXEL PEG.ipt			
DATE		PERIOD	SHEET		
11/4/2011			SHEET 6 OF 7		

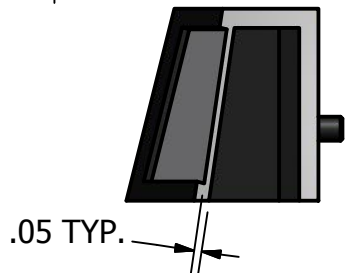
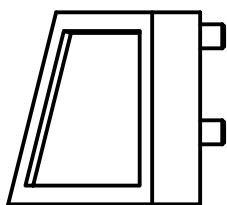
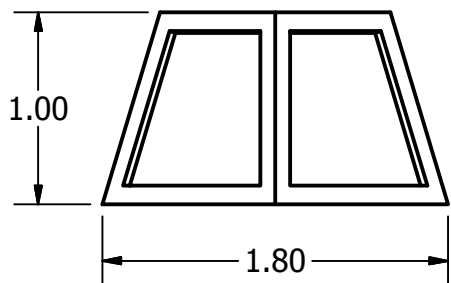
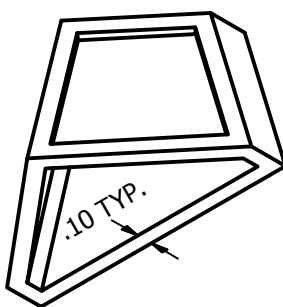
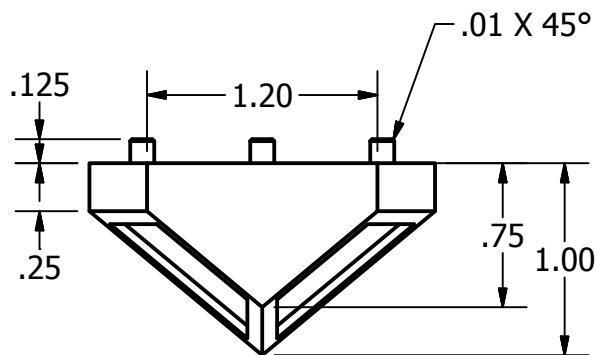
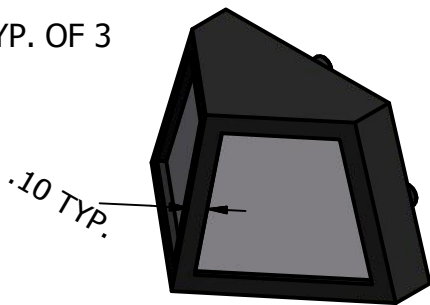
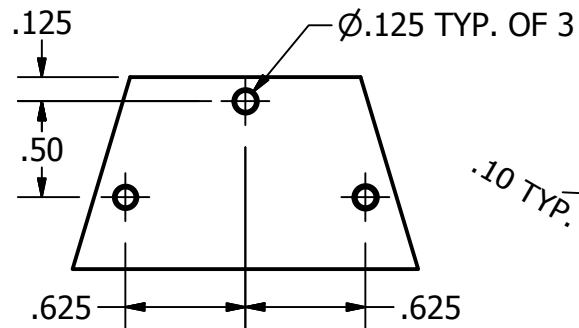
2



1

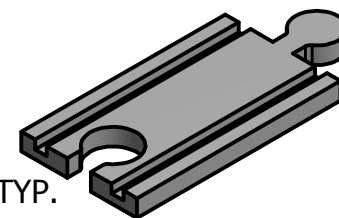
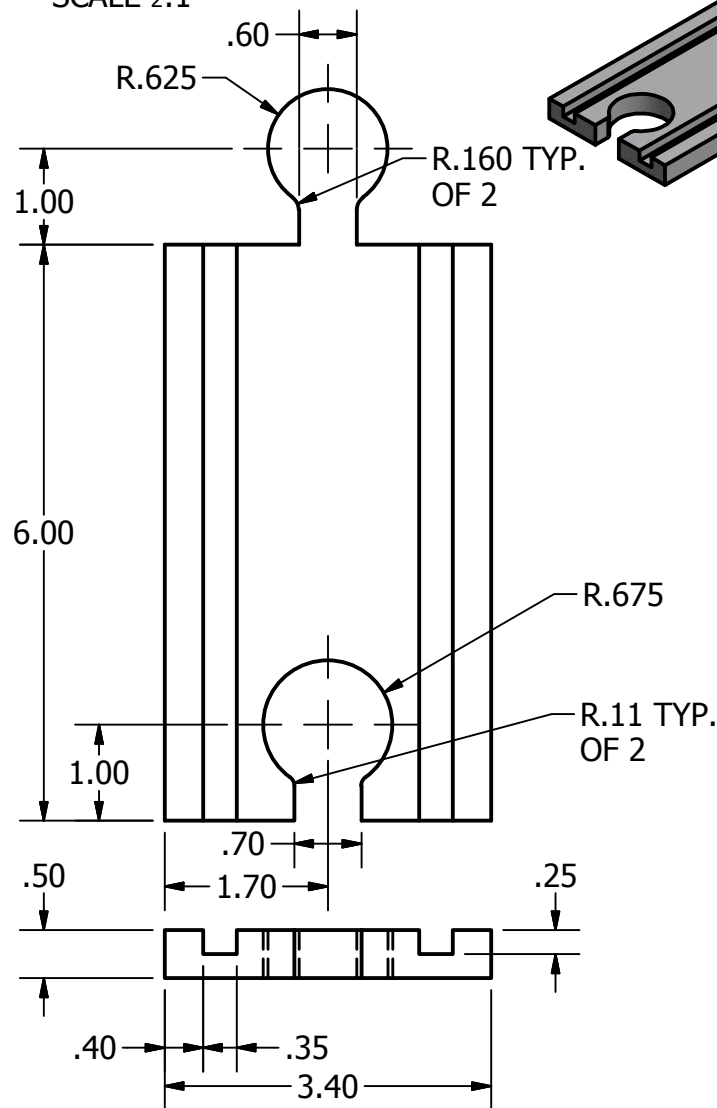
PART #9: COW CATCHER

SCALE 1:1



PART #10: TRACK

SCALE 1/2:1



B

B

A

A

2



1

ICAT Engineering Academy
Nampa School District

NAME:	DRAWING	SCHOOL	SCALE:	SCORE:
rcox	COW CATCHER.ipt			
		DATE	PERIOD	SHEET
		11/4/2011		SHEET 7 OF 7